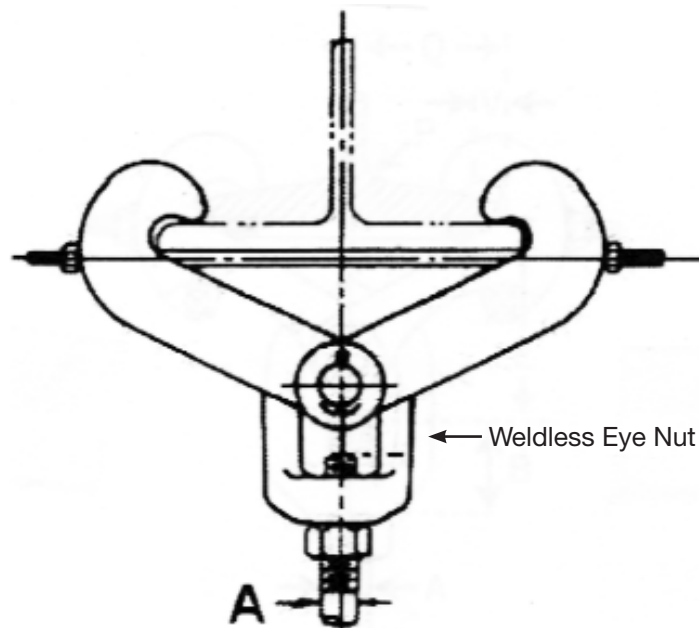


# ADJUSTABLE BEAM CLAMP

14B



**Material:** Clamps made from A-36 steel, 304 & 316 stainless steel  
Weldless Eye Nuts are forged steel ASTM A-235 Class C

**Finish:** Black, electro galvanized or hot dipped galvanized  
Specify clamp size and finish.  
Weldless Eye Nut ordered separately.

SIZE	FLANGE SIZE		MAX. LOAD	A MAX. ROD DIAMETER	WEIGHT LBS.
	WIDTH	MAX. THICKNESS			
1	3 - 8	5/8"	2,800 LBS.	3/4"	8
2	7 - 12	5/8"	2,800 LBS.	3/4"	12
3	3 - 8	3/4"	5,000 LBS.	1"	11
4	7 - 15	3/4"	5,000 LBS.	1"	16
5	5 - 11	1"	11,500 LBS.	1 1/2"	30
6	8 - 16	1"	11,500 LBS.	1 1/2"	48

**LB&A, INC**  
LINN BROWN & ASSOCIATES  
A UTILITY SERVICE COMPANY