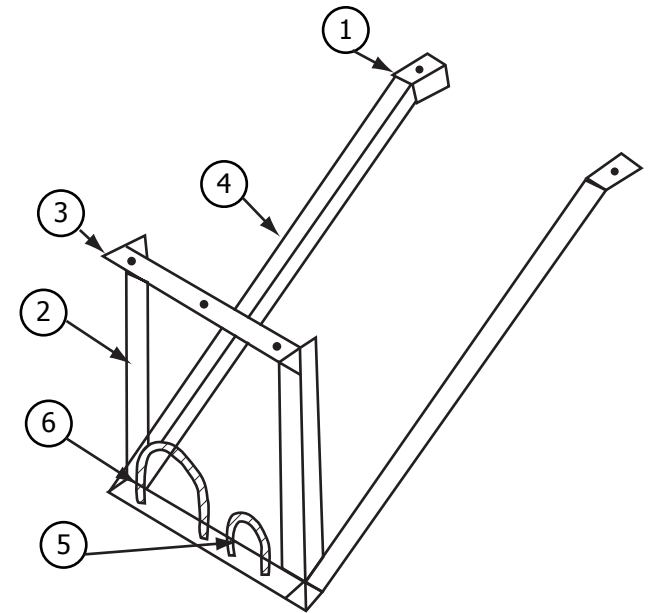
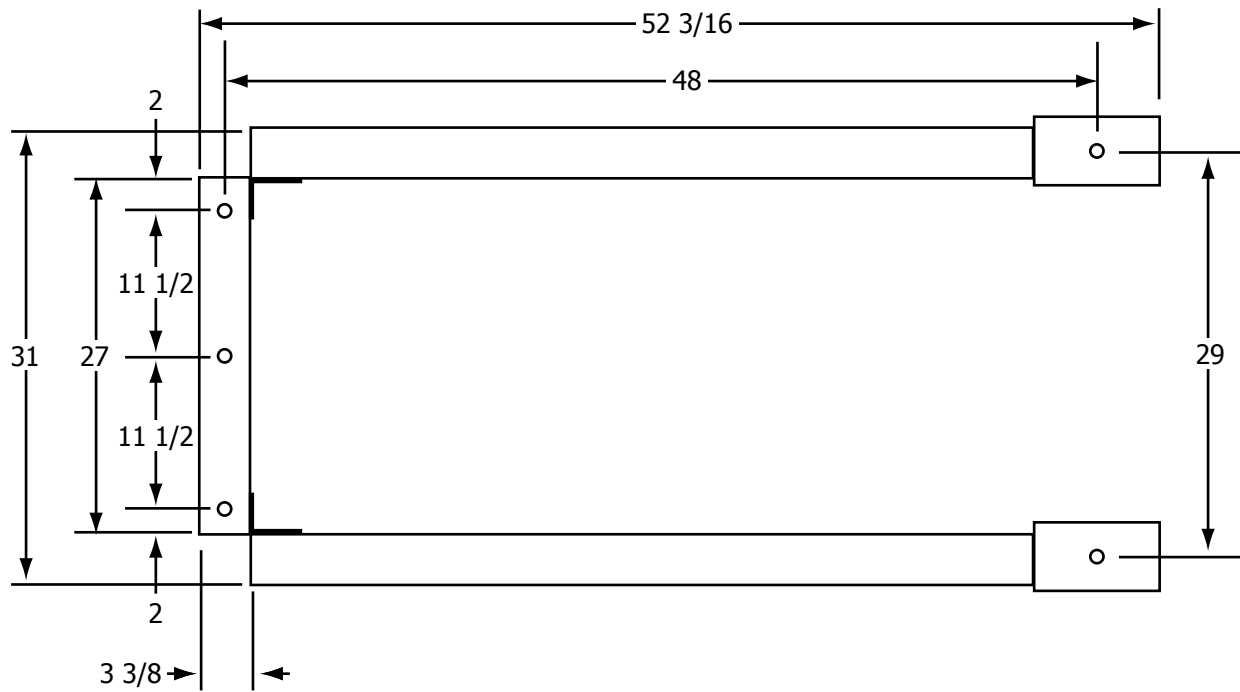


Parts List				
ITEM	QTY	SIZE	DESCRIPTION	LENGTH
1	2	L 3 x 3 x 1/4	Angle Steel	6
2	2	L 3 x 3 x 1/4	Angle Steel	34
3	2	L 3 x 3 x 1/4	Angle Steel	27
4	2	L 2.5 x 2.5 x 1/4	Angle Steel	59
5	1	8"	U-Bolt	
6	1	6"	U-Bolt	



DESCRIPTION Trapeze Hanger		FINISH		UNIT QTY.	
PROJECT					
SCALE	ORDER NO. 001307	DRAWING NO. TRAP_HANG_1_09	SHEET 2 OF 2	REV. 0	TAG

**LB&A, INC**  
 LINN BROWN & ASSOCIATES  
 A UTILITY SERVICE COMPANY