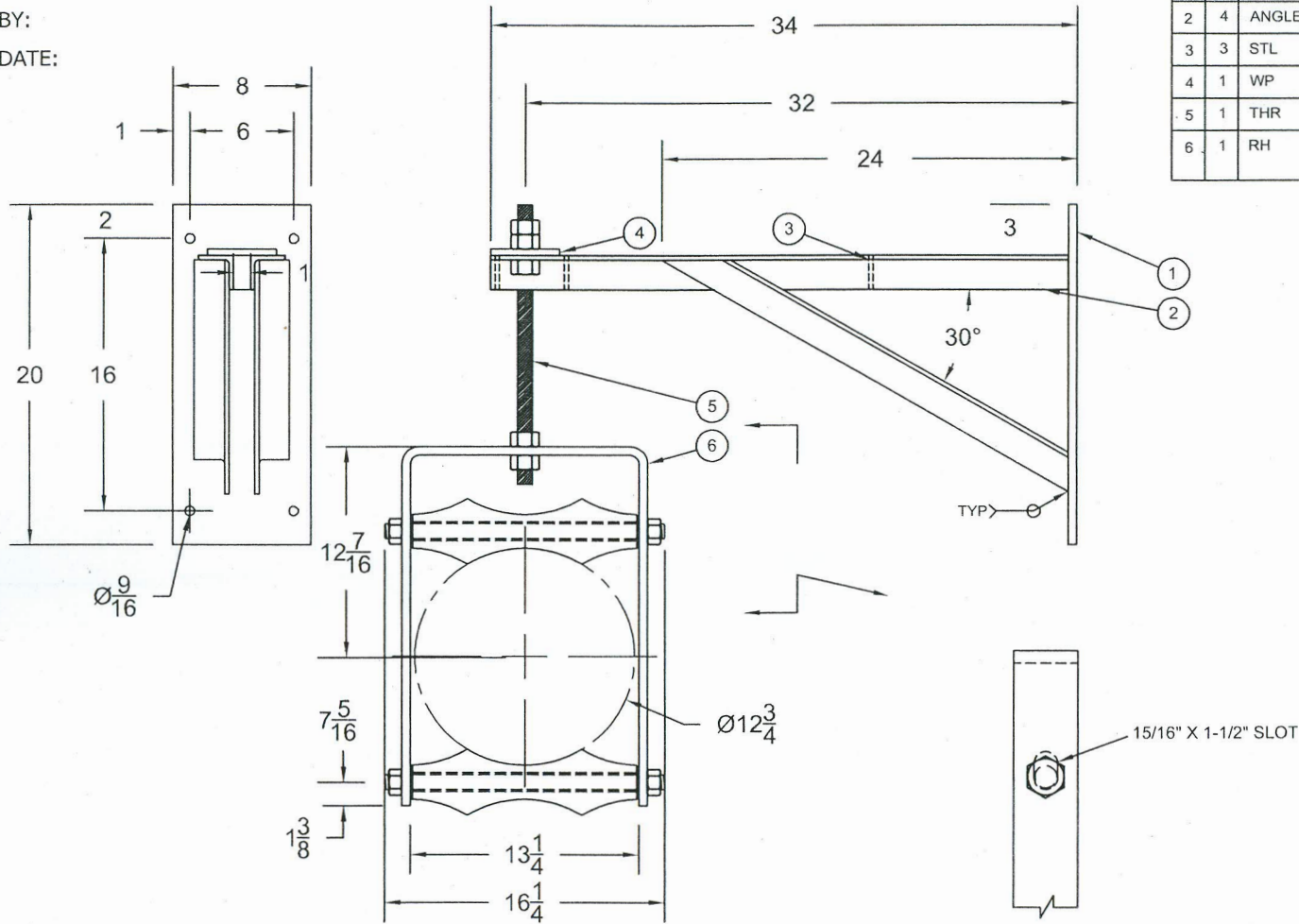


CUSTOMER APPROVAL  
SPECIAL ITEMS ARE NON-RETURNABLE

BY:  
DATE:



ITEM NO.	QTY.	FIG. NO.	DESCRIPTION
1	1	STL	1/2" X 8" X 20" BACK PLATE
2	4	ANGLE	1/4" X 2" X 2" ANGLE ( TYP)
3	3	STL	1/4" X 1" X 2" SPACER PLATE
4	1	WP	3/8" X 4" X 4" WASHER PLATE (15/16" HOLE)
5	1	THR	7/8" ALL THREAD ROD & NUTS
6	1	RH	SPECIAL 12" DOUBLE ROLLER HANGER WITH NON CONDUCTIVE ROLLS

FABRICATION TOLERANCE  
CUTTING:  $\pm 1/16"$ ,  $\pm 1^\circ$   
FORMING:  $\pm 4^\circ$   
HOLD TOLERANCE  
ASSEMBLY:  $\pm 1/16"$ ,  $\pm 1^\circ$

SPECIAL ITEMS ARE NON-RETURNABLE

NO.	REVISION	DATE

INFORMATION CONTAINED  
HEREIN IS THE CONFIDENTIAL  
PROPERTY OF LINN BROWN &  
ASSOCIATES AND MUST NOT BE  
DISCLOSED OR REPRODUCED  
WITHOUT PRIOR WRITTEN  
PERMISSION.

SPECIAL ITEM DESCRIPTION					FINISH		UNIT QTY.		LINN BROWN & ASSOC. 1085C Andrew Drive West Chester, PA 19380 610-696-9220 Phone 610-344-7519 Fax
ANGLE BRACKET & ROLLER HANGER					BLUECOAT		3		
CUSTOMER					JOB				
DRAWN BY	DATE	CHECKED BY	SCALE	P.O. NO.	DWG. NO.	REV.	TAG		
MS	7/22/16		DTS		072216A	0	0		