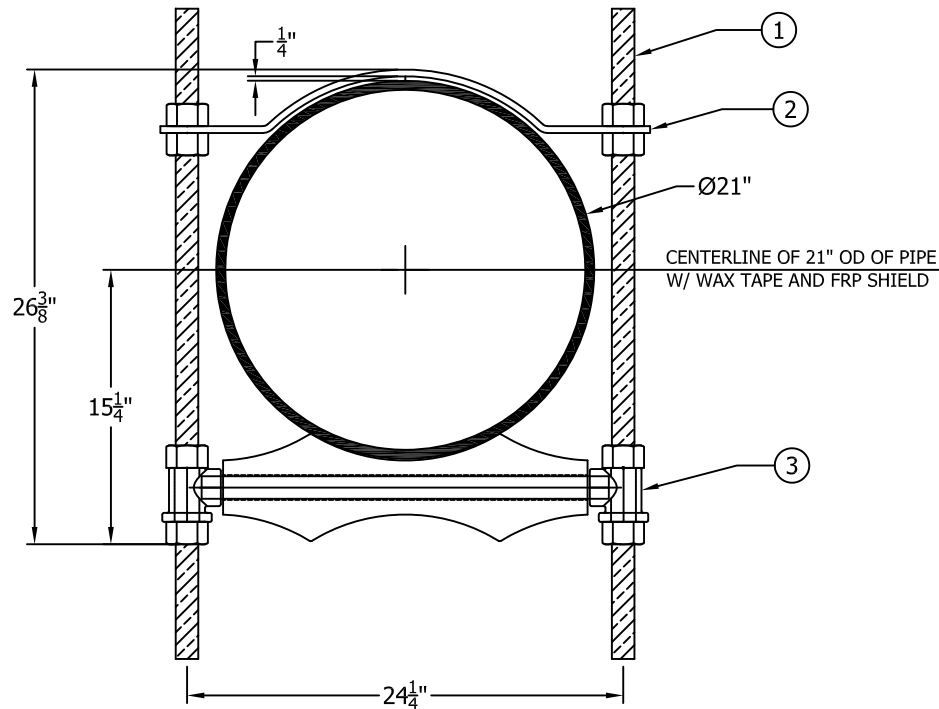


ITEM	QTY	DESCRIPTION	FINISH
1	2	1-1/4" ALL THREAD ROD W/ HVY NUTS	H D GALV
2	1	3/8" X 3" HOLD DOWN STRAP	H D GALV
3	1	20" NON CONDUCTIVE ROLLER	H D GALV/ NON COND. ROLL



CUSTOMER APPROVAL
SPECIAL ITEMS ARE NON-RETURNABLE

BY:

DATE:

FABRICATION TOLERANCE

CUTTING: $\pm \frac{1}{8}''$, $\pm 1^\circ$
FORMING: $\pm 4^\circ$

HOLD TOLERANCE
ASSEMBLY: $\pm \frac{1}{16}''$, $\pm 1^\circ$

INFORMATION CONTAINED
HEREIN IS THE CONFIDENTIAL
PROPERTY OF LINN BROWN &
ASSOCIATES AND MUST NOT BE
DISCLOSED OR REPRODUCED
WITHOUT PRIOR WRITTEN
PERMISSION.

DESCRIPTION 20" ROLLER SUPPORT W/ HOLD DOWN				FINISH H D GALV		QUANTITY 12		LINN BROWN & ASSOC. 1085C Andrew Drive West Chester, PA 19380 610-696-9220 Phone 610-344-7519 Fax
CUSTOMER				PROJECT MASS DOT BRIDGE GAS MAIN				
DRAWN BY MS	CHECKED BY ----	CREATION DATE 6/30/14	SCALE 3/32"=1"	CUSTOMER ORDER NUMBER	TAG TAG	SHEET 1 OF 3	REVISION 0	DRAWING NUMBER 063014A