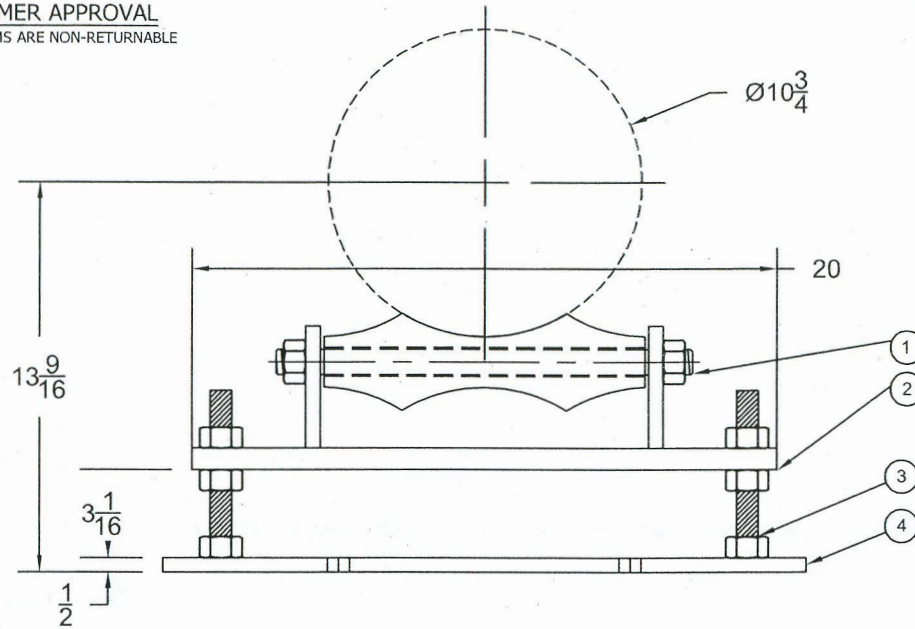


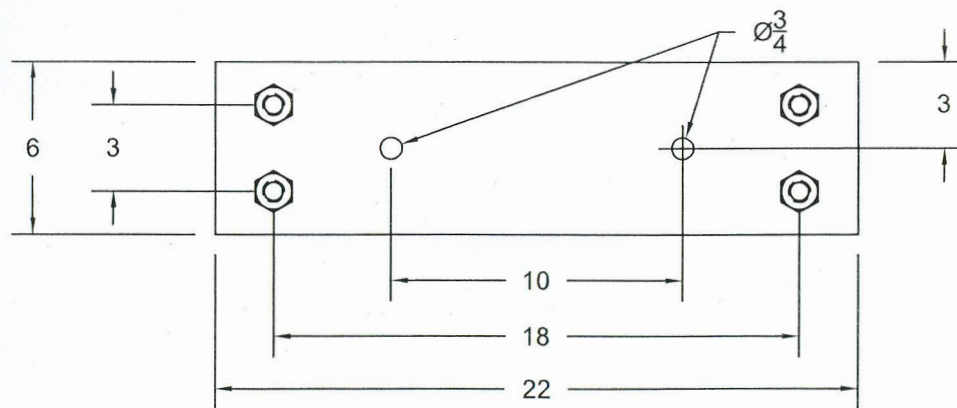
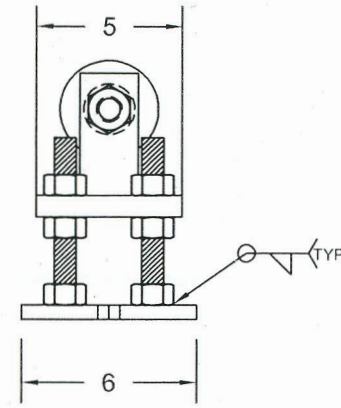
CUSTOMER APPROVAL
SPECIAL ITEMS ARE NON-RETURNABLE

BY:

DATE:



| ITEM NO. | QTY. | FIG. NO. | DESCRIPTION |
|----------|------|----------|--|
| 1 | 1 | SUPT | 10" ROLLER SUPPORT W/ NON CONDUCTIVE ROLL |
| 2 | 1 | STL | 3/4" X 5" X 20" BASE PLATE |
| 3 | 4 | STUD | 3/4" X 8" ALL THREAD WITH NUTS AND WASHERS |
| 4 | 1 | STL | 1/2" X 6" X 22" BASE PLATE |
| 5 | | | |
| 6 | | | |



FABRICATION TOLERANCE
CUTTING: $\pm 1/8"$, $\pm 1^\circ$
FORMING: $\pm 4^\circ$
HOLD TOLERANCE
ASSEMBLY: $\pm 1/16"$, $\pm 1^\circ$

SPECIAL ITEMS ARE NON-RETURNABLE

| NO. | REVISION | DATE |
|-----|----------|------|
| | | |
| | | |
| | | |

INFORMATION CONTAINED
HEREIN IS THE CONFIDENTIAL
PROPERTY OF LINN BROWN &
ASSOCIATES AND MUST NOT BE
DISCLOSED OR REPRODUCED
WITHOUT PRIOR WRITTEN
PERMISSION.

| | | | | | | | |
|--|------------------------|------------|---------------------|---------------------------|----------------------------|-----------------------|---|
| SPECIAL ITEM DESCRIPTION 10" ADJUSTABLE ROLLER SUPPORT | | | | FINISH BLUECOAT | | UNIT QTY. 2 | LINN BROWN & ASSOC. 1085C Andrew Drive West Chester, PA 19380 610-696-9220 Phone 610-344-7519 Fax |
| CUSTOMER | | | | JOB | | | |
| DRAWN BY MS | DATE 7/22/16 | CHECKED BY | SCALE DTS | P.O. NO. | DWG. NO. 072216B | REV. 1 0 | TAG |