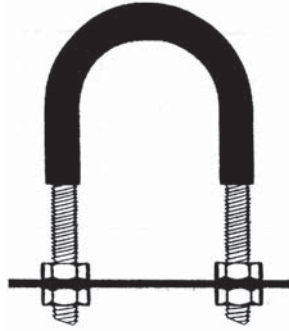
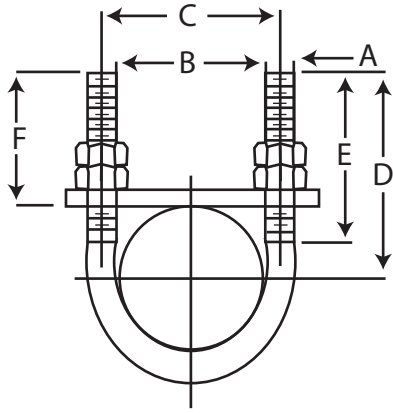


U-BOLT-COAT SPECIALS

NON-STANDARD DIMENSIONS



QUANTITY

A _____ Inches
 *B _____ Inches
 C _____ Inches
 D _____ Inches
 E _____ Inches

All dimensions are in inches

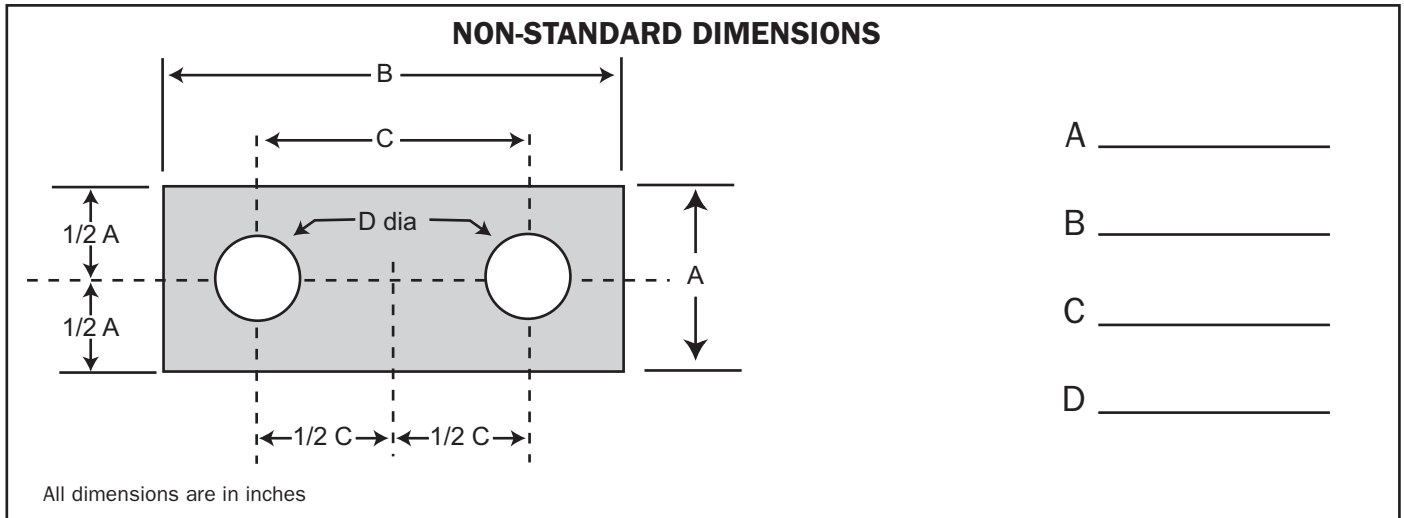
*The coating reduces B min. 1/8" (.125) - max. 3/16" (.1875)

PIPE SIZE	ROD SIZE A	WEIGHT W/NUTS (APPROX.)	B	C	D	E	F
3/4	1/4	.12	1 1/8	1 3/8	2 3/4	2 3/8	2 7/32
1	1/4	.12	1 3/8	1 5/8	2 3/4	2 3/8	2 3/32
1 1/4	3/8	.28	1 11/16	2 1/16	2 7/8	2 3/8	2 1/32
1 1/2	3/8	.30	2	2 3/8	3	2 1/2	2 1/16
2	3/8	.33	2 7/16	2 13/16	3 1/4	2 1/2	2 1/16
2 1/2	1/2	.73	2 15/16	3 7/16	3 3/4	3	2 5/16
3	1/2	.78	3 9/16	4 1/16	4	3	2 1/4
3 1/2	1/2	.84	4 1/16	4 9/16	4 1/4	3	2 1/4
4	1/2	.90	4 9/16	5 1/16	4 1/2	3	2 1/4
5	1/2	1.0	5 5/8	6 1/8	5	3	2 7/32
6	5/8	1.97	6 3/4	7 3/8	6 1/8	3 3/4	2 13/16
8	5/8	2.33	8 3/4	9 3/8	7 1/8	3 3/4	2 13/16
10	3/4	4.91	10 7/8	11 5/8	8 3/8	4	3
12	7/8	7.73	12 7/8	13 3/4	9 5/8	4 1/4	3 1/4
14	7/8	8.28	14 1/8	15	10 1/4	4 1/4	3 1/4
16	7/8	9.15	16 1/8	17	11 1/4	4 1/4	3 1/4
18	1	13.48	18 1/8	19 1/8	12 5/8	4 3/4	3 5/8
20	1	14.57	20 1/8	21 1/8	13 5/8	4 3/4	3 5/8
24	1	16.8	24 1/8	25 1/8	15 5/8	4 3/4	3 5/8

FROM _____
 COMPANY _____
 PHONE _____
 FAX _____

GLAS MESH COMPANY®
 P.O. Box 1718
 West Chester, PA 19380
 610-696-9220 • Fax 610-344-7519
www.glasmesh.com

SPECIAL COATED U-BOLT FLAT PAD DIMENSIONS



STANDARD FIBERGLASS PAD DIMENSIONS*

Pipe Size	Thickness	A	B	C	D
		Pad Width	Pad Length	Centerline Hole to Centerline	Hole Diameter
1/2	1/8	1	2 3/4	1 3/16	3/8
3/4	1/8	1	2 3/4	1 3/8	3/8
1	1/8	1	2 3/4	1 5/8	3/8
1 1/4	1/8	1 1/4	4 1/4	2 1/16	1/2
1 1/2	1/8	1 1/4	4 1/4	2 3/8	1/2
2	1/8	1 1/4	4 1/4	2 13/16	1/2
2 1/2	1/8	2	7 3/4	3 7/16	5/8
3	1/8	2	7 3/4	4 1/16	5/8
3 1/2	1/8	2	7 3/4	4 9/16	5/8
4	1/8	2	8 1/2	5 1/16	5/8
5	1/8	2	8 1/2	6 1/8	5/8
6	1/8	2 1/4	9 3/4	7 3/8	3/4
8	1/8	2 1/4	11 3/4	9 3/8	3/4
10	1/8	2 1/2	14 1/4	11 5/8	7/8
12	1/8	2 3/4	17 1/2	13 3/4	1

*Dimensions may vary slightly