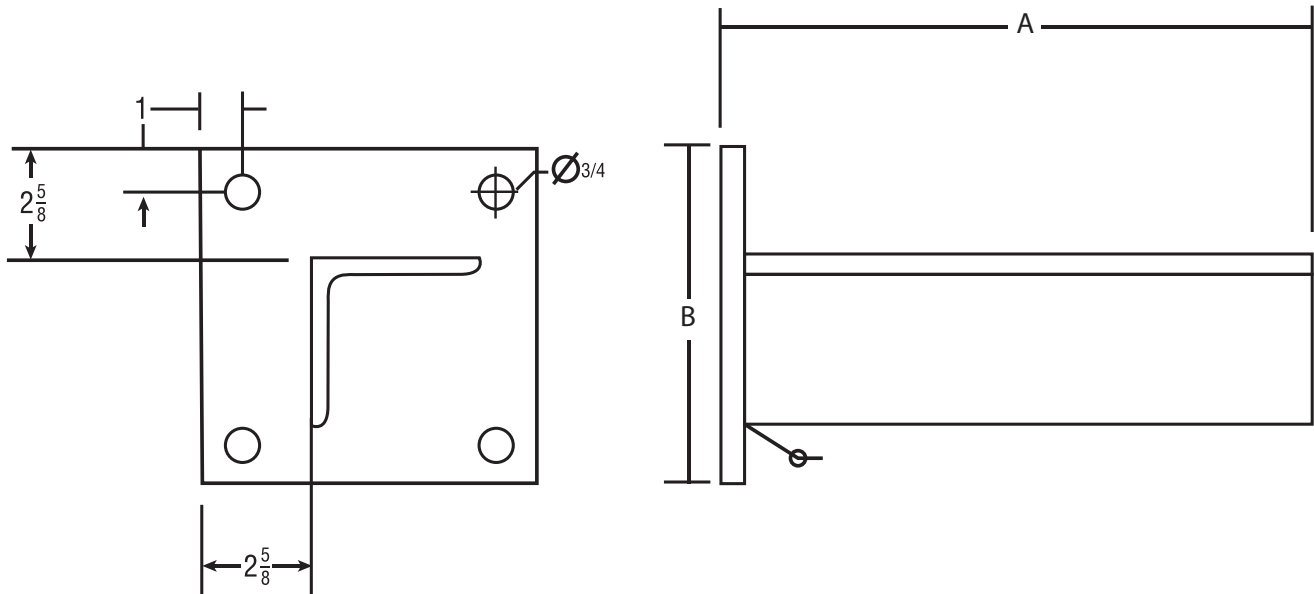


ANGLE BRACKET



Size	Max Load	A	B	Base Plate	Angle
1	610	14"	8"	1/2"x8"x8"	3/8" x 4"x4"
2	610	18"	8"	1/2"x8"x8"	3/8" x 4"x4"
3	610	24"	8"	1/2"x8"x8"	3/8" x 4"x4"

The angle bracket is generally used on bridge side walls with limited space. Fabricated from steel and available in hot dipped galvanized finish. Wedge anchors available for mounting.

Dimensions and finish can be changed upon request.