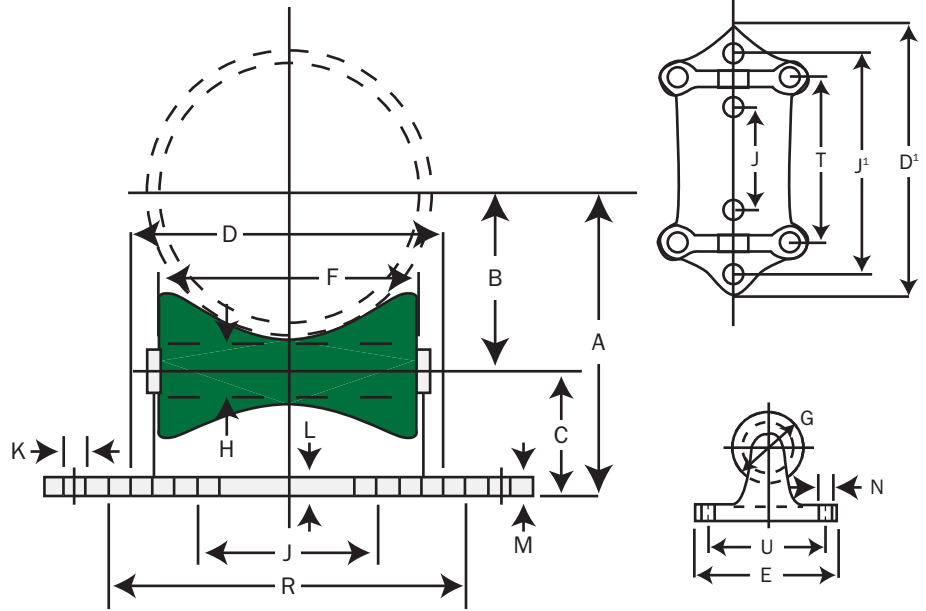
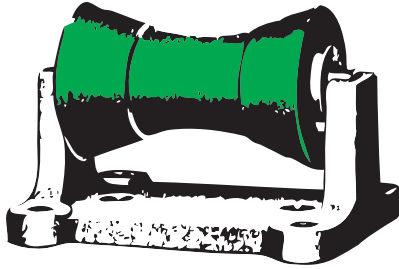


PIPE ROLLER STAND

8B



PIPE ROLLER STAND INCLUDES:

CAST IRON OR STEEL BASE

1 ROLL AXLE

1 CAST IRON ROLL (OMIT WHEN ORDERING NON-CONDUCTIVE ROLLER)

All Dimensions in inches

Pipe Size	A	B	C	D	D ¹	E	F	G	H	J	J ¹	K	L	M	N	R	T	U
2	3 1/2	1 3/4	1 3/4	4	8 3/8	5 3/8	2 3/4	1 7/8	1/2		6 3/8	1	9/16	1 1/16	1/2		3 7/16	4
2 1/2	3 7/8	2 1/8	1 3/4	4	8 3/8	5 3/8	2 3/4	1 7/8	1/2		6 3/8	1	9/16	1 1/16	1/2		3 7/16	4
3	4 1/8	2 3/8	1 3/4	4	8 3/8	5 3/8	2 3/4	1 7/8	1/2		6 3/8	1	9/16	1 1/16	1/2		3 7/16	4
3 1/2	4 3/8	2 5/8	1 3/4	4	8 3/8	5 3/8	2 3/4	1 7/8	1/2		6 3/8	1	9/16	1 1/16	1/2		3 7/16	4
4	4 13/16	2 3/4	2 1/16	5 3/8	9 7/8	5 3/8	3 3/4	2 1/16	1/2		7 7/8	1	3/4	7/8	1/2		4 11/16	4 1/4
5	5 7/16	3 3/8	2 1/16	5 3/8	9 7/8	5 3/8	3 3/4	2 1/16	1/2		7 7/8	1	3/4	7/8	1/2		4 11/16	4 1/4
6	6 1/16	4	2 1/16	5 3/8	9 7/8	5 3/8	3 3/4	2 1/16	1/2		7 7/8	1	3/4	7/8	1/2		4 11/16	4 1/4
8	8 11/16	5 1/4	3 7/16	7 3/4		6 5/8	6	3 1/4	3/4	4		1	3/4	7/8	5/8	8 5/8	7	5
10	9 13/16	6 3/8	3 7/16	7 3/4		6 5/8	6	3 1/4	3/4	4		1	7/8	7/8	5/8	8 5/8	7	5
12	11 3/8	7 1/2	3 7/8	9 7/8		7 7/8	8	4	7/8	5 3/4		1	7/8	7/8	3/4	10 15/16	9 1/16	6
14	12	8 1/8	3 7/8	9 7/8		7 7/8	8	4	7/8	5 3/4		1	7/8	7/8	3/4	10 15/16	9 1/16	6
16	13 5/8	9 3/8	4 1/2	11 1/4		8 5/8	9	4 1/2	1 1/8	6 3/4		1	7/8	1	13/16	12 3/8	10 1/4	6 1/2
18	14 5/8	10 3/8	4 1/2	11 1/4		8 5/8	9	4 1/2	1 1/8	6 3/4		1	7/8	1	13/16	12 3/8	10 1/4	6 1/2
20	15 5/8	11 3/8	4 1/2	11 1/4		8 5/8	9	4 1/2	1 1/8	6 3/4		1	7/8	1	13/16	12 3/8	10 1/4	6 1/2
24	17 3/4	13 3/8	4 3/8	12 1/2		8 5/8	10	4 7/16	1 1/4	7 1/2		1	1	1 1/8	13/16	13 1/2	11 3/8	6 1/2
30	21 7/8	16 3/4	5 1/8	15 3/4		10 3/4	12 1/2	5 1/2	1 3/4	10		1	1	1 1/2	1 1/16	17	14 1/4	8
36	25 1/4	20	5 3/4	18 3/4		12	15	6 3/8	2	12		1	1	1 3/4	1 5/16	20	17	9
42	28 7/8	23 1/8	5 3/4	18		12	15	6 3/8	2	12		1	1	1 3/4	1 5/16	20	17	9

LB&A, INC
 LINN BROWN & ASSOCIATES
 A UTILITY SERVICE COMPANY