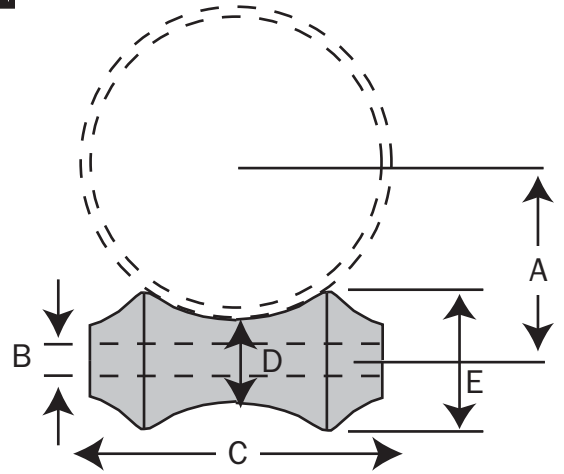
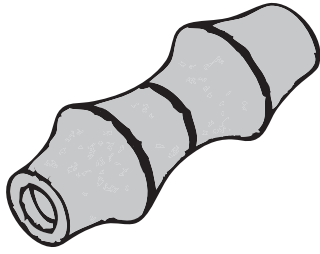


# PIPE ROLLER CAST IRON

7B



All Dimensions in inches

Pipe Size	A	Axle B	C	D	E	Max. Load lbs.	Wt. lbs/ea.
2	1 9/16	3/8	2 5/8	13/16	1 5/16	600	.32
3	3/16	1/2	3 11/16	7/8	1 7/16	700	.51
4	2 3/4	1/2	4 3/4	1	1 3/4	750	.66
5	3 7/16	5/8	5 7/8	1 1/4	2	750	1.21
6	4	3/4	6 15/16	1 5/16	2 1/4	1070	1.36
8	5 1/4	7/8	8 7/8	1 13/16	2 7/8	1350	3.75
10	6 1/4	7/8	11	1 3/4	3 1/4	1730	4.25
12	6 7/16	1	13	2	4	2400	9.00
14	8 5/16	1 1/8	14 3/8	2 5/8	4 3/4	3130	12
16	9 3/8	1 1/4	16 5/8	2 13/16	5 1/4	3970	25
18	10 3/8	1 1/4	18 3/8	2 13/16	5 9/16	4200	25
20	11 1/2	1 1/4	20 1/4	3 1/16	6	4550	32
24	13 13/16	1 1/2	24 1/4	3 5/8	7 3/16	6160	58
30	17 1/4	1 7/8	30 1/4	4 1/2	8 15/16	7290	112