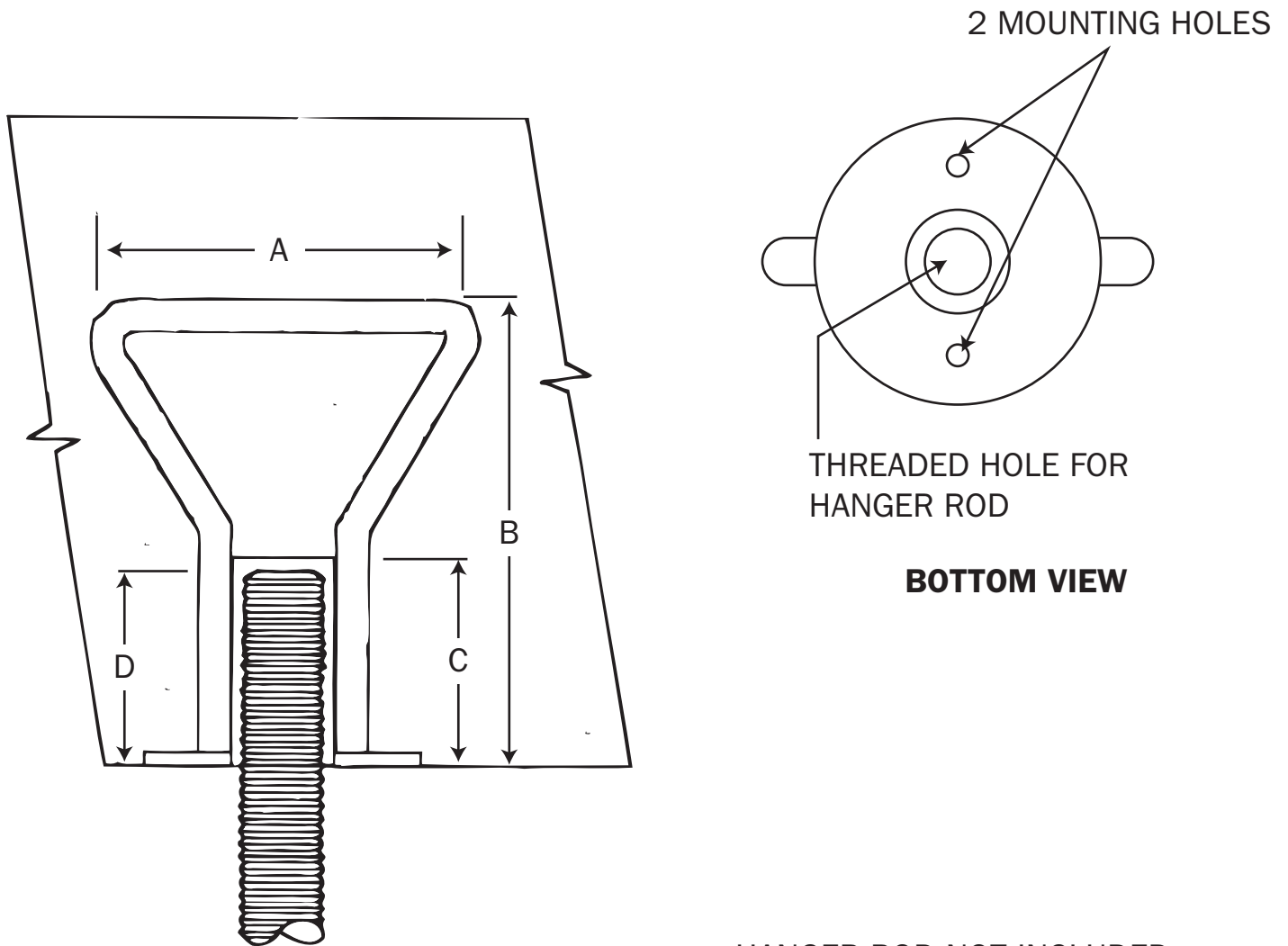


LOOP DESIGN LIGHT DUTY CONCRETE INSERT

18B



HANGER ROD NOT INCLUDED

ROD DIA. & T.P.I.	A	B	SAFE LOAD	C	D
1/2" x 13	2 3/8"	4 3/32"	2800 lbs.	1 7/8"	1 5/8"
5/8" x 11	3 3/8"	4 3/32"	3600 lbs.	1 7/8"	1 5/8"
3/4" x 10	3 3/8"	4 3/32"	3600 lbs.	1 7/8"	1 5/8"