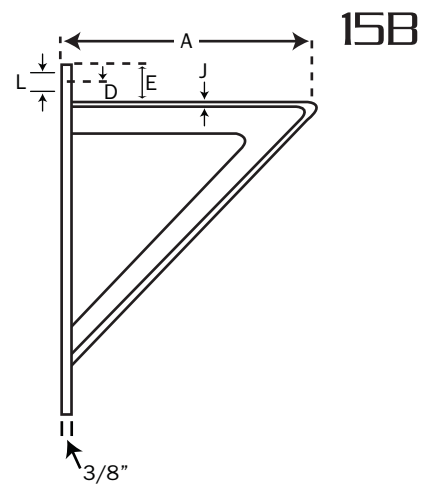
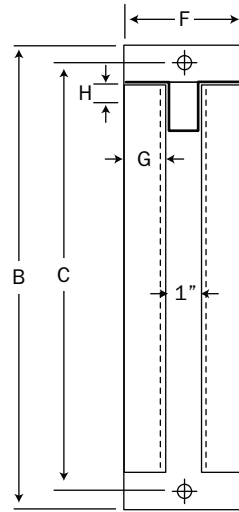


MEDIUM WELDED STEEL BRACKET

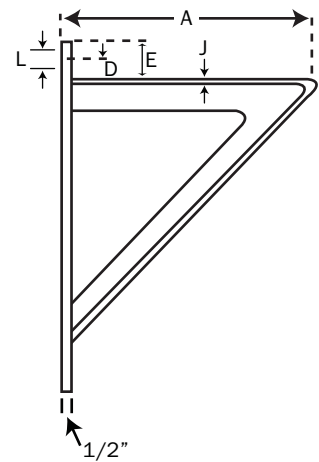
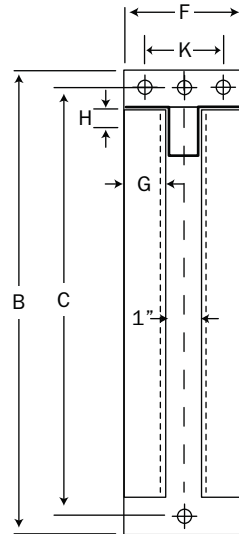


MAXIMUM RECOMMENDED LOAD 1,500 LBS.

All Dimensions in inches

Bracket Number	Weight (approx.) lbs. ea.	A	B	C	D	E	F	G	H	J	L
0	17.4	12	18	15 1/2	1 1/4	2 1/2	4	1 1/2	1 1/2	1/4	13/16
1	27.3	18	24	21 1/2	1 1/4	2 1/2	5	1 3/4	1 3/4	3/16	13/16
2	47.7	24	30	27 1/2	1 1/4	2 1/2	5	2	2	1/4	13/16

HEAVY WELDED STEEL BRACKET



MAXIMUM RECOMMENDED LOAD 3,000 LBS.

All Dimensions in inches

Bracket Number	Weight (approx.) lbs. ea.	A	B	C	D	E	F	G	H	J	L
0	24.3	12	18	15 1/4	1 3/8	2 3/4	4	1 1/2	2	1/4	13/16
1	51.8	18	24	21 3/8	1 7/16	2 3/4	5	2	2	3/8	2 3/4
2	65.8	24	30	27 1/2	1 1/2	2 3/4	5	2	2 1/2	5/16	2 1/2
3	82.1	30	36	33 1/4	1 5/8	3	5	2	2 1/2	5/16	2 1/2
4	140.5	36	42	39	1 1/2	3	6	2 1/2	3 1/2	3/8	3 1/2
5	166.4	42	50	46	1 1/2	1 1/2	6	2 1/2	3 1/2	3/8	3 1/2

LB&A, INC
 LINN BROWN & ASSOCIATES
 A UTILITY SERVICE COMPANY