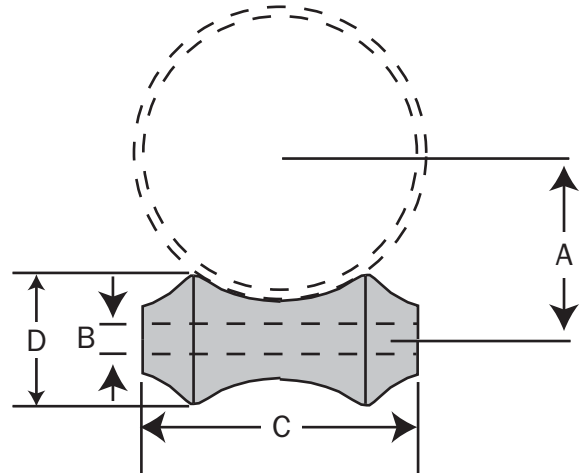
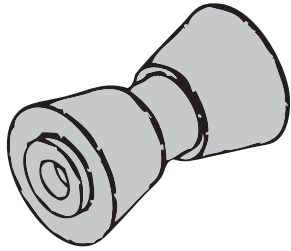


# STAND PIPE ROLLER

10B



STAND PIPE ROLLER INCLUDES:  
 1 CAST IRON ROLL ONLY (STAND MODEL)  
 All Dimensions in inches

Pipe Size	A	B	C	D	Maximum Load/lbs.	Weight/Each No Rod
2	1 13/16	1/2	2 7/8	1 7/8	390	1
2 1/2	2 1/16	1/2	2 7/8	1 7/8	390	1
3	2 3/8	1/2	2 7/8	1 7/8	390	1
3 1/2	2 5/8	1/2	2 7/8	1 7/8	390	1
4	2 7/8	1/2	3 7/8	2 1/8	950	1.5
5	3 3/8	1/2	3 7/8	2 1/8	950	1.5
6	3 15/16	1/2	3 7/8	2 1/8	950	1.5
8	5 1/4	3/4	6 1/16	3 1/4	2100	4.85
10	6 3/8	3/4	6 1/16	3 1/4	2100	4.85
12	7 1/2	7/8	8 1/16	4	3075	8.9
14	8 1/8	7/8	9 1/8	4	3075	8.9
16	9 1/4	1 1/8	9 1/8	4 1/2	4980	13.2
18	10 3/8	1 1/8	9 1/8	4 1/2	4980	13.2
20	11 3/8	1 1/8	9 1/8	4 1/2	4980	13.2
24	13 3/8	1 1/4	10	4 11/16	6100	14
30	16 7/8	1 3/4	12 5/16	5 1/2	7500	24

**LB&A, INC**  
 LINN BROWN & ASSOCIATES  
 A UTILITY SERVICE COMPANY