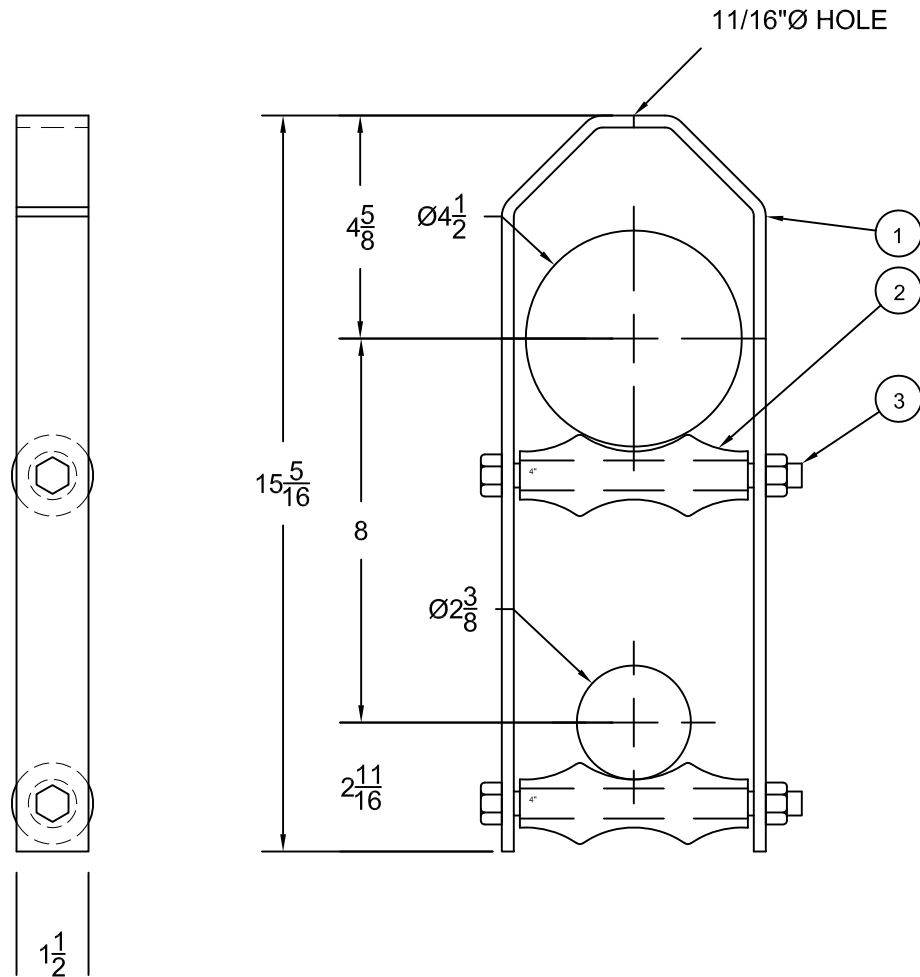


APPROVED BY: _____
 DATE: _____



ITEM	DESCRIPTION
1	1/4" X 1-1/2" A-36 ROLLER HANGER YOKE
2	4" CAST IRON PIPE ROLLER
3	1/2"Ø AXLE W/ HEX NUT

SPECIAL ITEMS ARE NON-RETURNABLE

INFORMATION CONTAINED
 HEREIN IS THE CONFIDENTIAL
 PROPERTY OF LINN BROWN &
 ASSOCIATES AND MUST NOT BE
 DISCLOSED OR REPRODUCED
 WITHOUT PRIOR WRITTEN
 PERMISSION.

SPECIAL ITEM DESCRIPTION 4" DOUBLE ROLLER HANGER				FINISH H D GALV	UNIT QTY. 622	LINN BROWN & ASSOC. 1085C Andrew Drive West Chester, PA 19380 610-696-9220 Phone 610-344-7519 Fax	
CUSTOMER			JOB				
DRAWN BY MS	DATE 3/28/11	CHECKED BY	SCALE 1/8"=1"	P.O. NO.	DWG. NO. 032811A	REV. 0 0	TAG