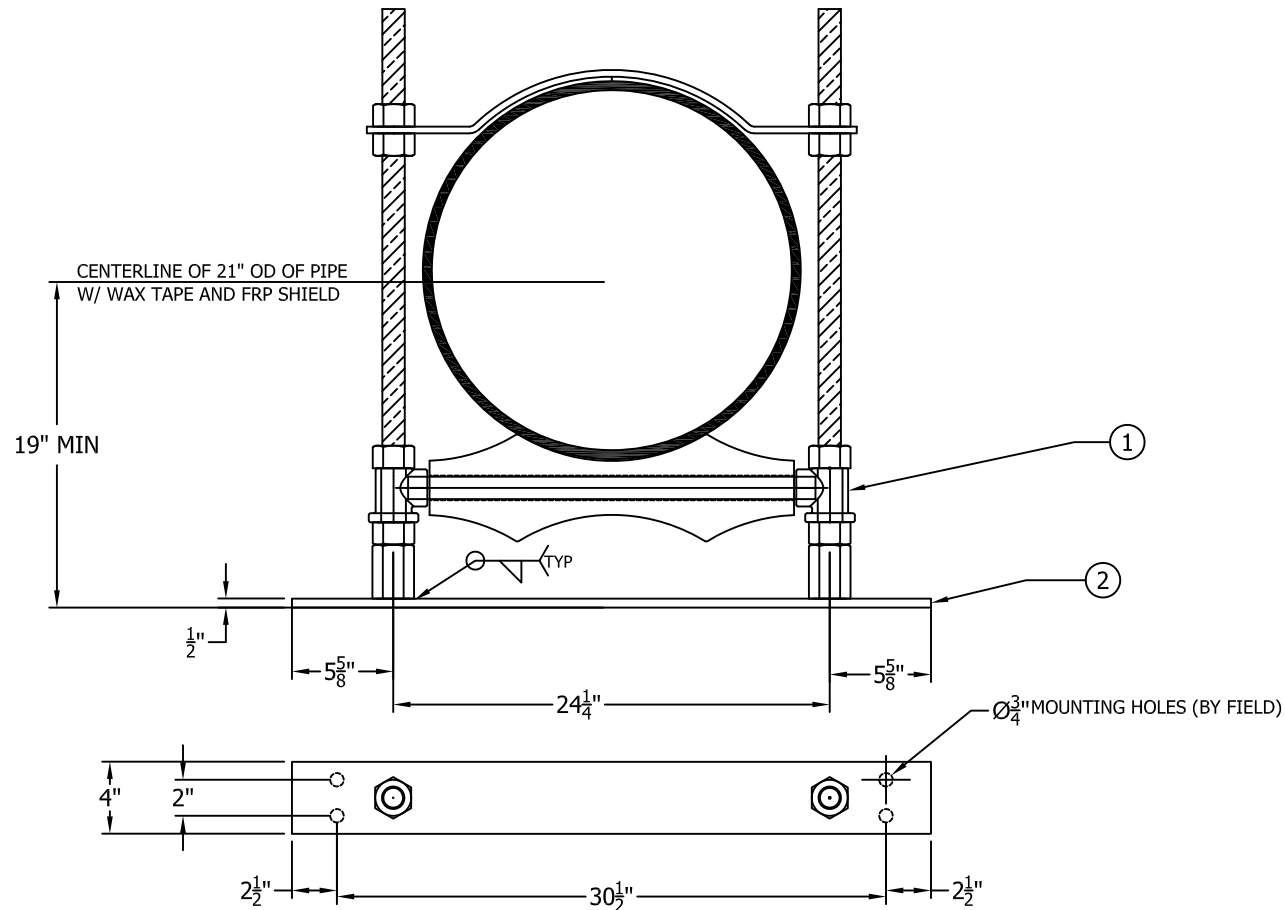


ITEM	QTY	DESCRIPTION	FINISH
1	1	20" ROLLER SUPPORT SHEET 1 OF 3	H D GALV
2	1	BASE PLATE ASSY SHEET 2 OF 3	H D GALV

NOTES:

- 1) Rod couplings will be retapped after galvanizing
- 2) Please double check mounting hole dimensions.



CUSTOMER APPROVAL
SPECIAL ITEMS ARE NON-RETURNABLE

BY:

DATE:

FABRICATION TOLERANCE

CUTTING: $\pm \frac{1}{8}$ ", $\pm 1^\circ$
FORMING: $\pm 4^\circ$

HOLD TOLERANCE
ASSEMBLY: $\pm \frac{1}{16}$ ", $\pm 1^\circ$

INFORMATION CONTAINED
HEREIN IS THE CONFIDENTIAL
PROPERTY OF LINN BROWN &
ASSOCIATES AND MUST NOT BE
DISCLOSED OR REPRODUCED
WITHOUT PRIOR WRITTEN
PERMISSION.

DESCRIPTION 20" ROLLER SUPPORT AND BASE PLATE				FINISH H D GALV	QUANTITY 12	LINN BROWN & ASSOC. 1085C Andrew Drive West Chester, PA 19380 610-696-9220 Phone 610-344-7519 Fax		
CUSTOMER			PROJECT MASS DOT BRIDGE GAS MAIN					
DRAWN BY MS	CHECKED BY ----	CREATION DATE 6/30/14	SCALE 1/8"=1"	CUSTOMER ORDER NUMBER	TAG TAG	SHEET 3 OF 3	REVISION 0	DRAWING NUMBER 063014C