

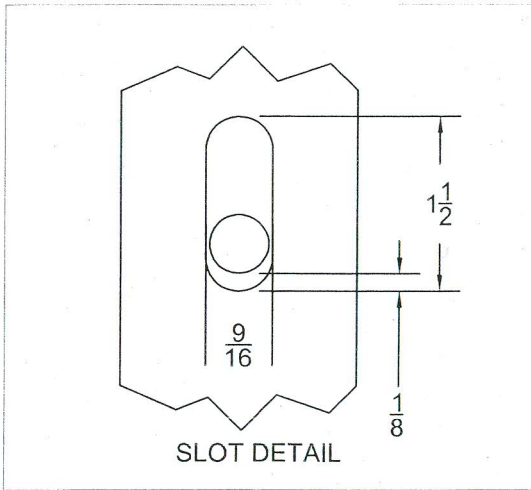
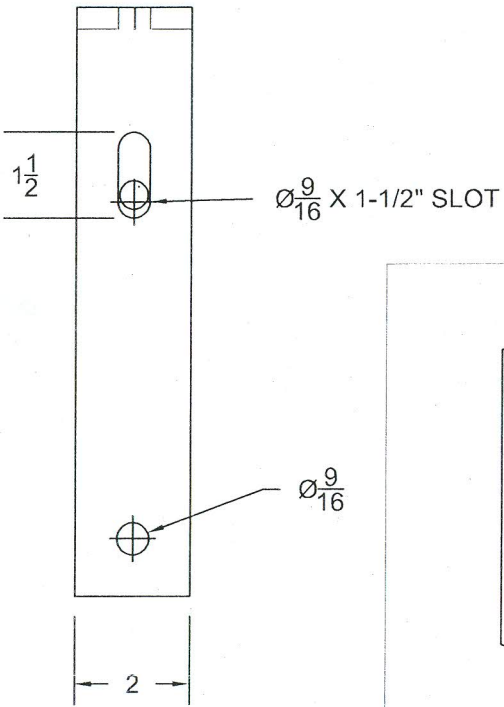
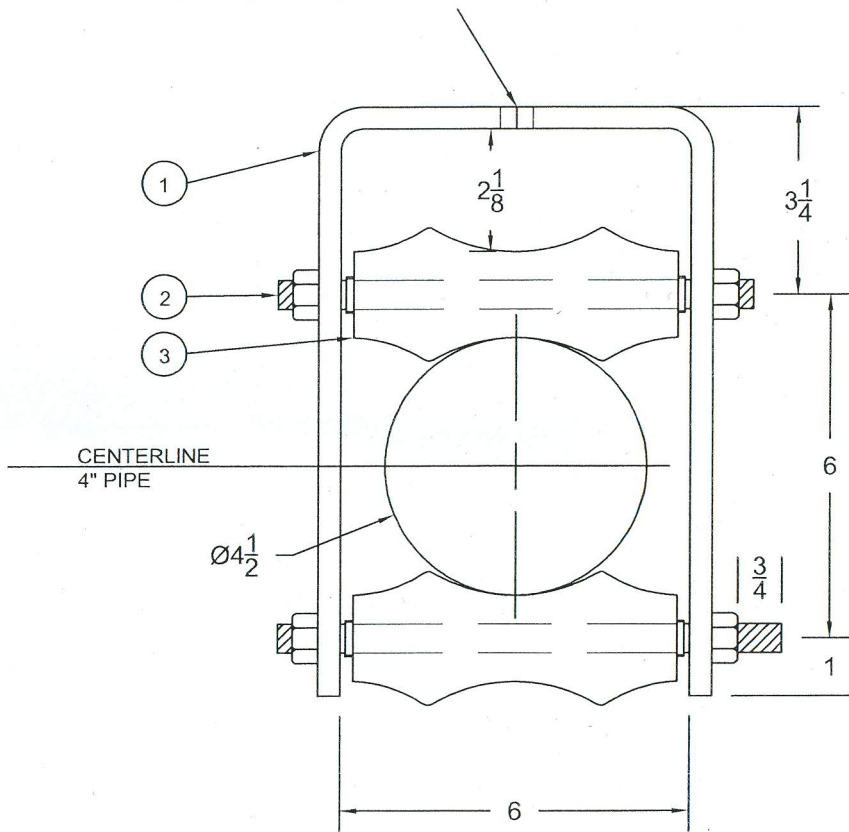
ITEM	DESCRIPTION
1	3/8" X 2" FLAT BAR (YOKE) H D GALV
2	1/2" DIAMETER AXLE & NUTS (TYP) HDG.
3	5" NON CONDUCTIVE ROLL (TYP)

CUSTOMER APPROVAL
SPECIAL ITEMS ARE NON-RETURNABLE

BY:

DATE: 11/16"Ø HOLE FOR
5/8" ALL THREAD ROD

NOTE
1) BOTTOM AXLE IS 1/2"
LONGER THAN TOP AXLE



SPECIAL ITEMS ARE NON-RETURNABLE

FABRICATION TOLERANCE
CUTTING: $\pm 1/16"$, $\pm 1^\circ$
FORMING: $\pm 4^\circ$
HOLD TOLERANCE
ASSEMBLY: $\pm 1/16"$, $\pm 1^\circ$

INFORMATION CONTAINED
HEREIN IS THE CONFIDENTIAL
PROPERTY OF LINN BROWN &
ASSOCIATES AND MUST NOT BE
DISCLOSED OR REPRODUCED
WITHOUT PRIOR WRITTEN
PERMISSION.

SPECIAL ITEM DESCRIPTION SPECIAL 5" SINGLE ROD ROLLER HANGER W/ DOUBLE ROLL				FINISH H D GALV		UNIT QTY. 16		LINN BROWN & ASSOC. 1085C Andrew Drive West Chester, PA 19380 610-696-9220 Phone 610-344-7519 Fax	
CUSTOMER				JOB					
DRAWN BY MS	DATE 7/5/16	CHECKED BY	SCALE 5/16"=1"	P.O. NO.	DWG. NO. 070516A	REV. 0 0	TAG		