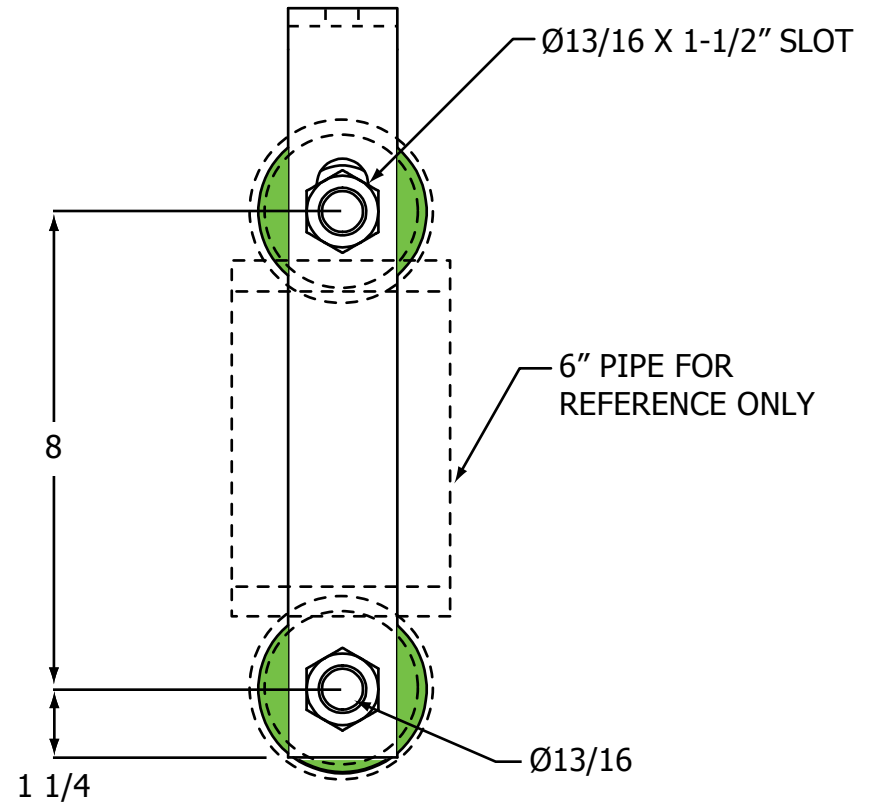
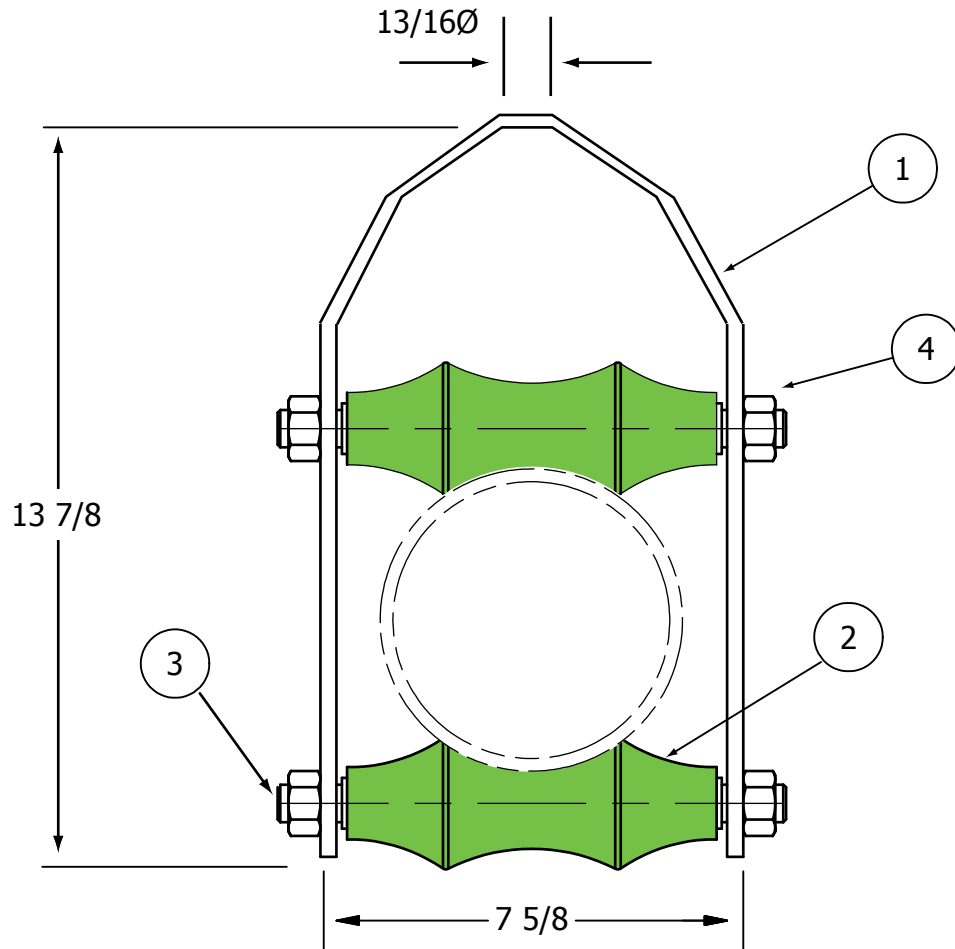


Parts List			
ITEM	QTY	SIZE	DESCRIPTION
1	1	1/4" X 2"	Flat Bar
2	2	6"	Long Pattern Roll
3	2	3/4" X 8-1/2"	Hex Bolt
4	2	3/4"	Hex Nut



DESCRIPTION 250 - 6" ROLLER HANGER W/ (2) PIPE ROLLS				FINISH HDG		UNIT QTY. 5	
				PROJECT			
SCALE 5/16" = 1"		ORDER NO. 001467		DRAWING NO. 2506D8_12_08		SHEET 1 OF 1	
				REV. 0		TAG	

LB&A, INC
LINN BROWN & ASSOCIATES
 A UTILITY SERVICE COMPANY