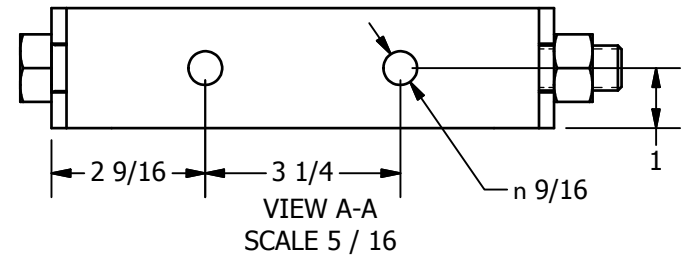
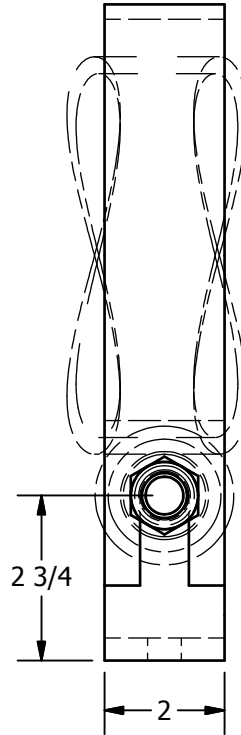
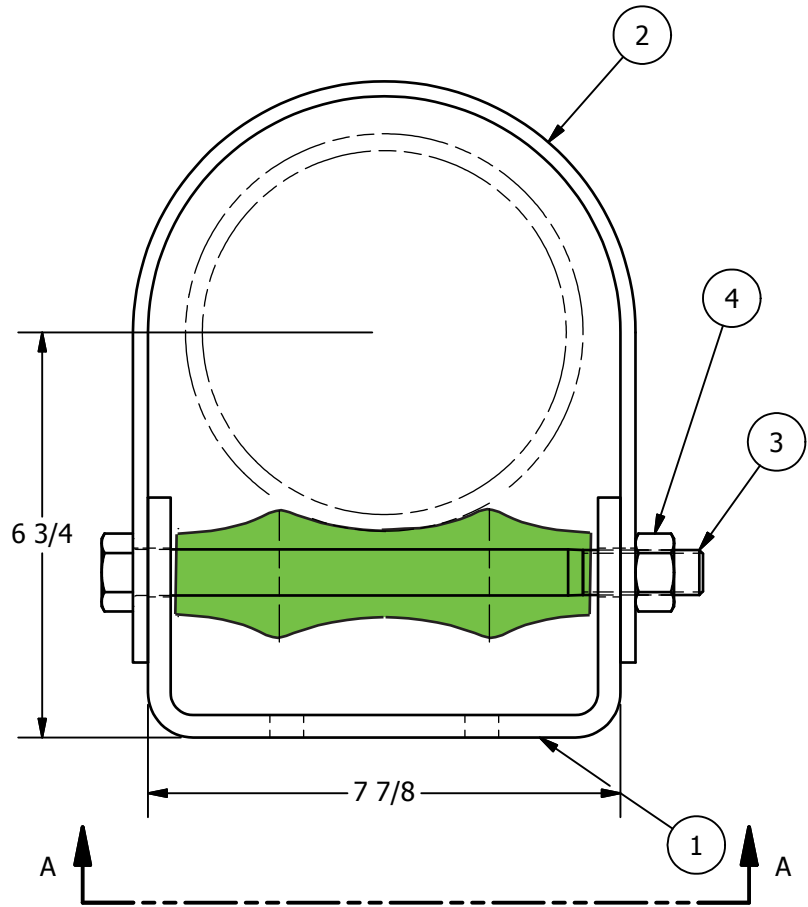


SPECIAL ITEMS ARE NON-RETURNABLE

| ITEM | QTY | PART NUMBER | DESCRIPTION                   |
|------|-----|-------------|-------------------------------|
| 1    | 1   | BSS-3016    | FLAT BAR T304 3/8" X 2"       |
| 2    | 1   | BSS-2016    | FLAT BAR T304 1/4" X 2"       |
| 3    | 1   | SPECIAL     | 3/4" HEX BOLT 18-8 SS         |
| 4    | 1   | 785S-0006   | REGULAR HEX NUT, 3/4" 18-8 SS |



NOTE:  
1) 6" PIPE & PIPE ROLL BY OTHERS

|   |                   |       |                     |                          |                 |                 |     |
|---|-------------------|-------|---------------------|--------------------------|-----------------|-----------------|-----|
| DESCRIPTION<br>245 - 6" ROLLER CHAIR W/ HOLD DOWN STRAP |                   |       |                     | FINISH<br>304 SS         |                 | UNIT QTY.<br>14 |     |
| CUSTOMER<br>LINN BROWN                                  |                   |       | PROJECT             |                          |                 |                 |     |
| DRAWN BY<br>AJM   | DATE<br>3/12/2009 | SCALE | ORDER NO.<br>001830 | DRAWING NO.<br>245-6CHDS | SHEET<br>1 OF 3 | REV.<br>0       | TAG |

**LB&A, INC**  
LINN BROWN & ASSOCIATES  
A UTILITY SERVICE COMPANY