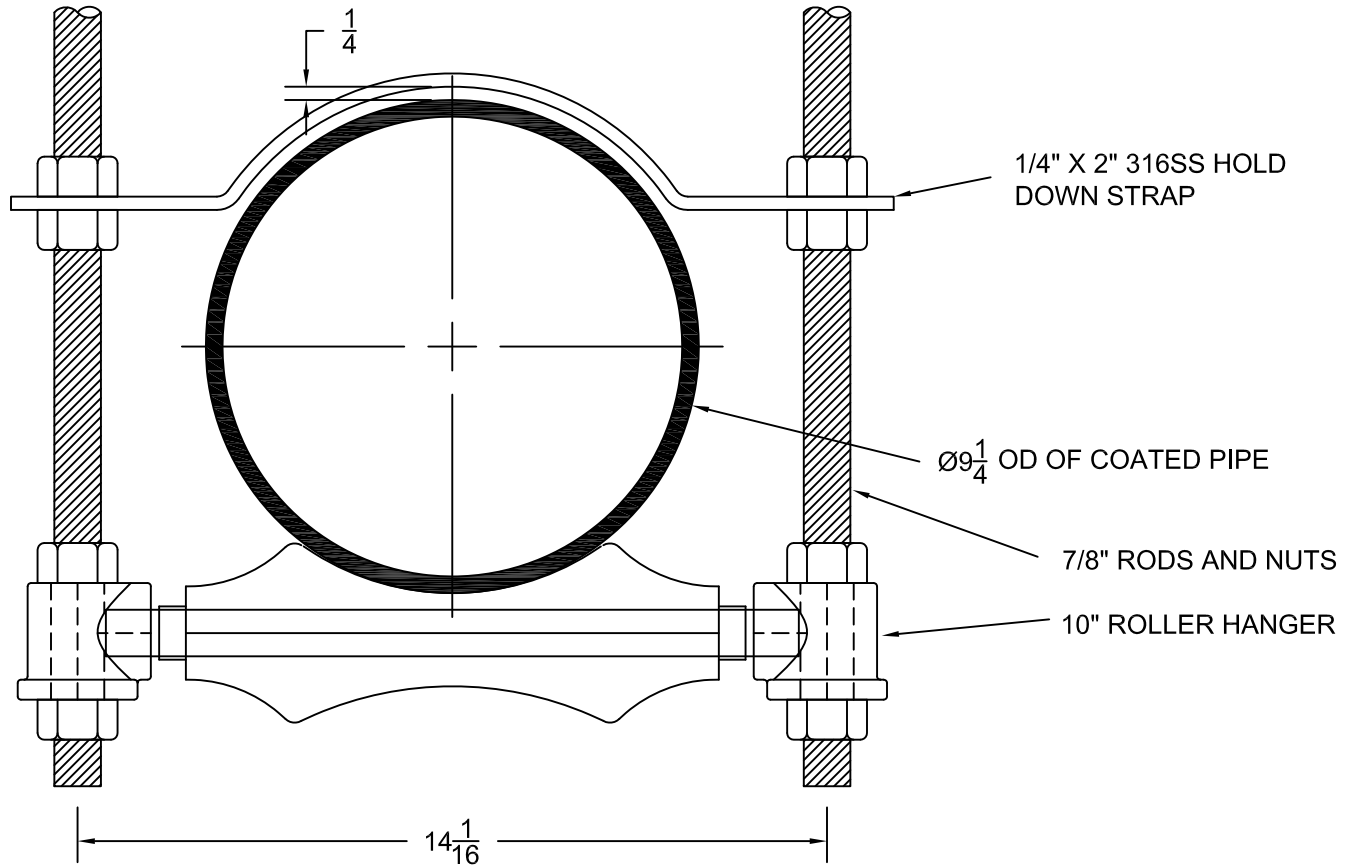


APPROVED BY: _____
 DATE: _____



SPECIAL ITEMS ARE NON-RETURNABLE

NO.	REVISION	DATE

INFORMATION CONTAINED
 HEREIN IS THE CONFIDENTIAL
 PROPERTY OF LINN BROWN &
 ASSOCIATES AND MUST NOT BE
 DISCLOSED OR REPRODUCED
 WITHOUT PRIOR WRITTEN
 PERMISSION.

SPECIAL ITEM DESCRIPTION: **10" ROLLER HOLD DOWN STRAP** FINISH: **316SS** UNIT QTY.: **3**

CUSTOMER: _____ JOB: _____

LINN BROWN & ASSOC.
 1085C Andrew Drive
 West Chester, PA 19380
 610-696-9220 Phone
 610-344-7519 Fax

DRAWN BY MS	DATE 3/5/14	CHECKED BY	SCALE Y	P.O. NO.	DWG. NO. 030514A	REV. 0 0	TAG
-----------------------	-----------------------	------------	-------------------	----------	----------------------------	--------------------	-----